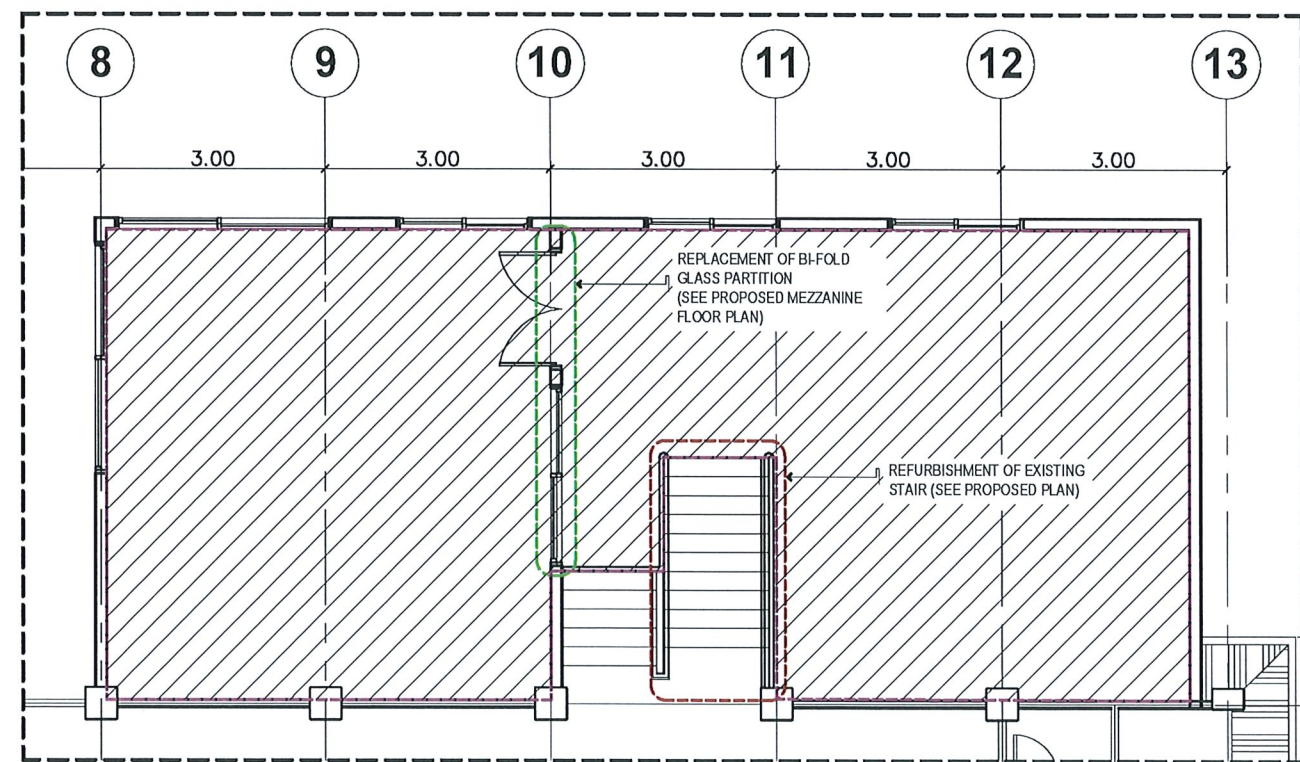




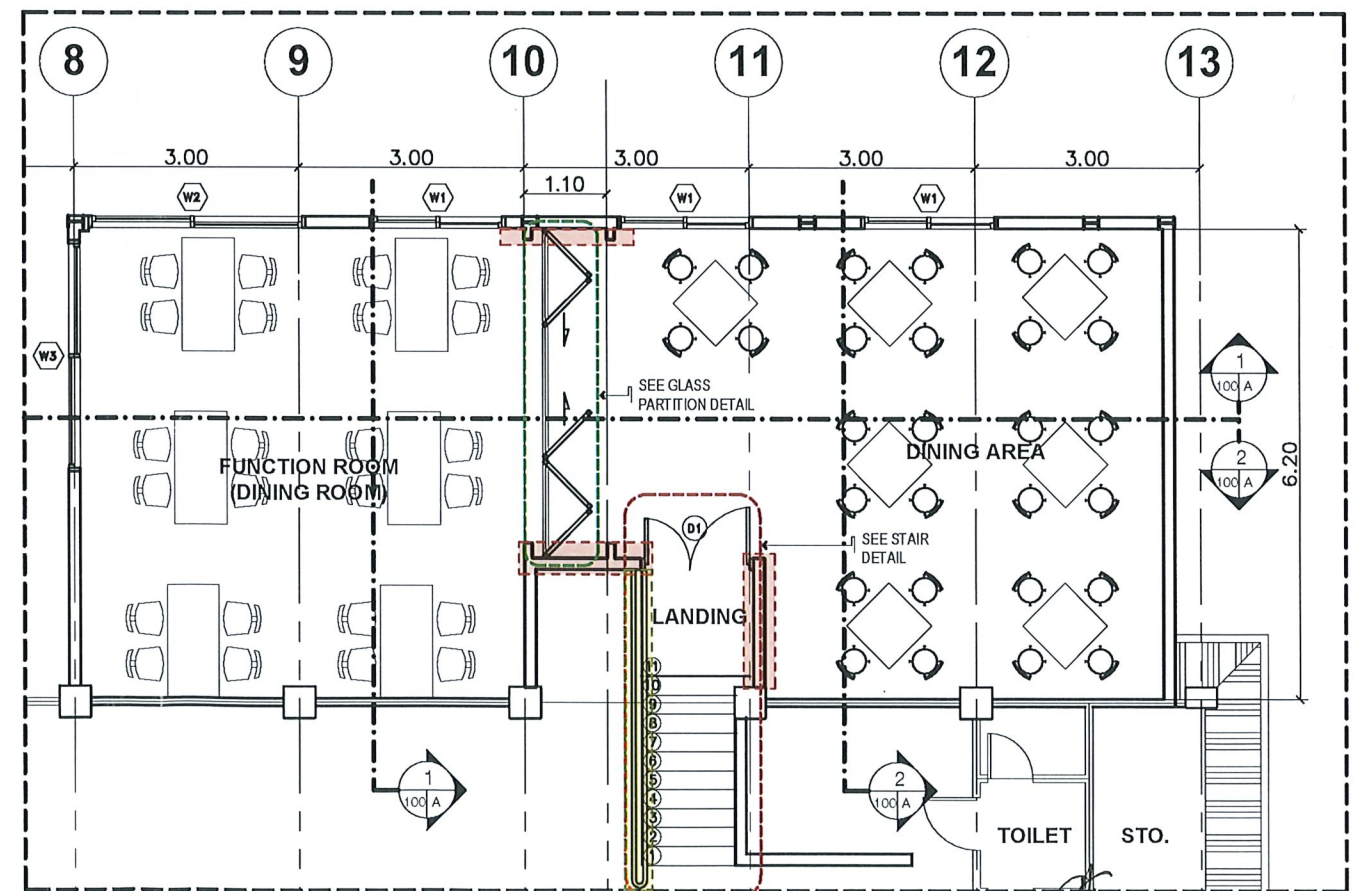
PERSPECTIVE



EXISTING MEZZANINE FLOOR PLAN

SCALE

1:100 MTS.



PROPOSED MEZZANINE FLOOR PLAN

SCALE

1:100 MTS.



TARLAC STATE UNIVERSITY
Facilities Development and
Management Office
Romulo Boulevard, Tarlac City, Philippines 2300

PROJECT TITLE:
RENOVATION OF FACULTY LOUNGE AT
TSU CANTEEN

PROJECT LOCATION:
MAIN CAMPUS, TARLAC STATE UNIVERSITY

PREPARED BY:

AR. ALDREN S. ERMITANIO
DRAFTSMAN I, OFDM

CERTIFIED BY:

AR. ARLEN M. GUIEB
DIRECTOR, OFDM

REQUESTING OFFICE:

MR. RYAN G. SIH
HEAD, SP/BU

RECOMMENDING APPROVAL:

ATTY. WILMARK J. RAMOS
VP FOR ADMINISTRATION

APPROVED:

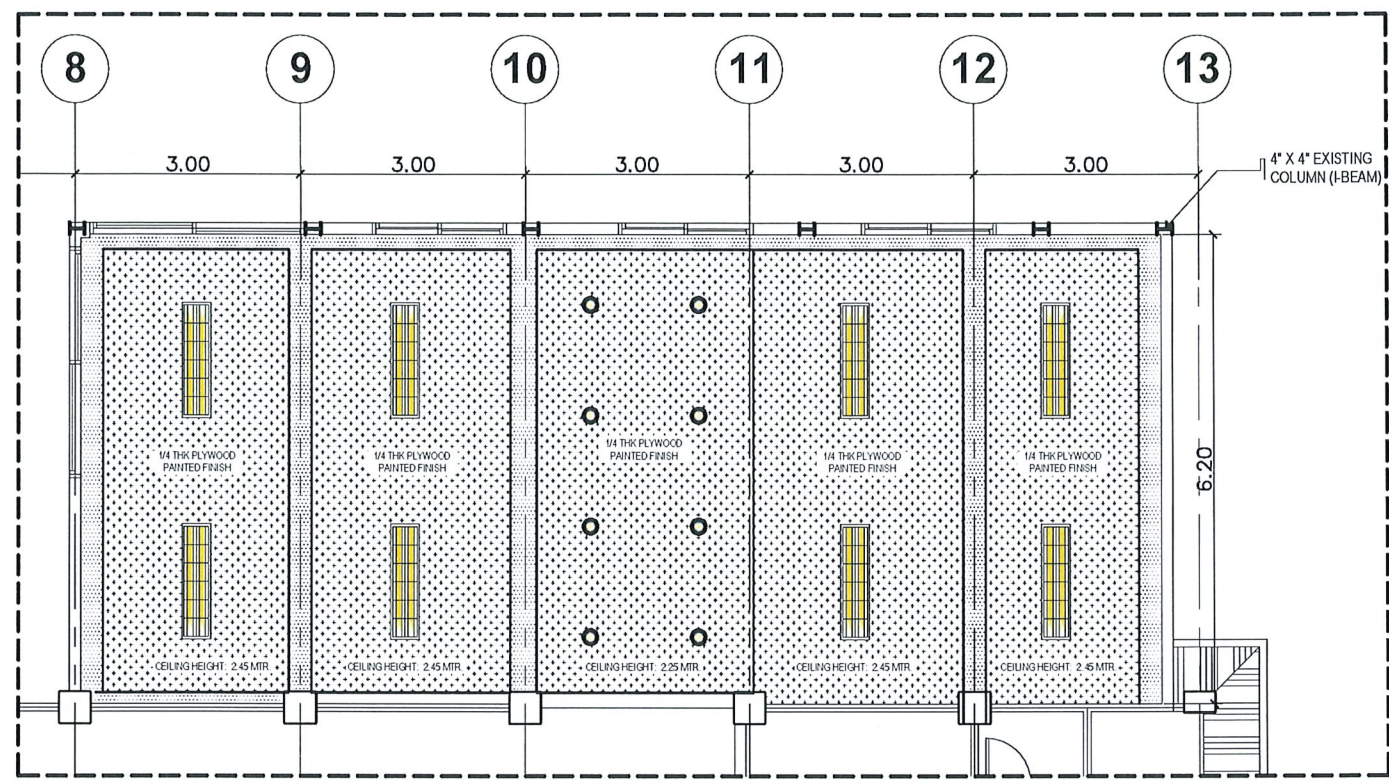
DR. ARNOLD E. VELASCO
PRESIDENT

SHEET CONTENTS:
AS SHOWN

DATE:

SHEET NO:
A-1
PAGE NO:
1-7

SEP 10 2024

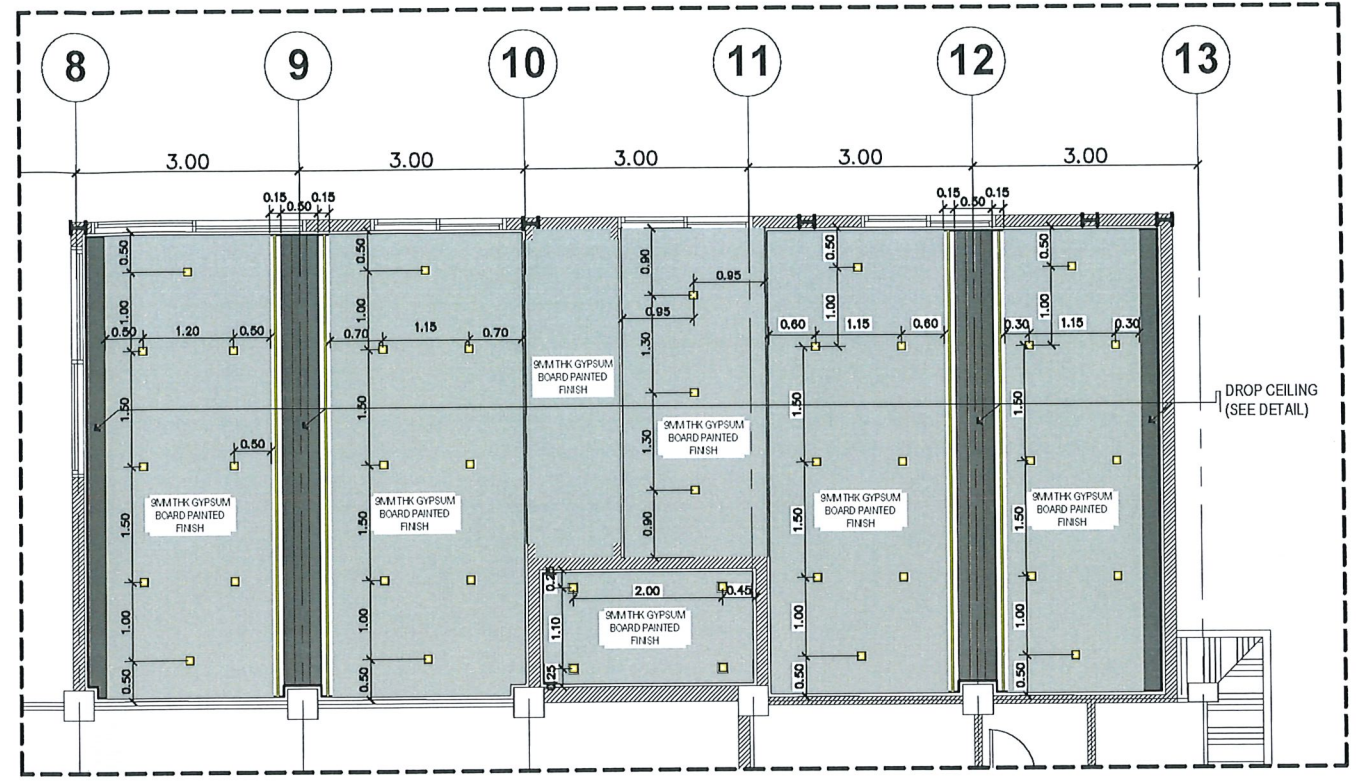


EXISTING REFLECTED CEILING PLAN

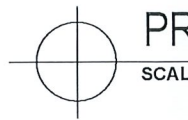


SCALE

1:100 MTS.

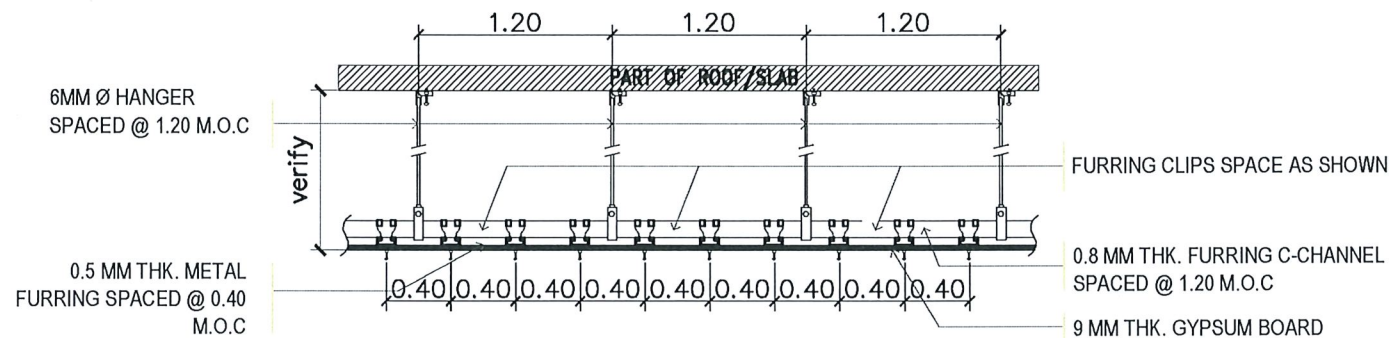


PROPOSED REFLECTED CEILING PLAN

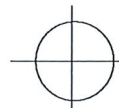


SCALE

1:100 MTS.

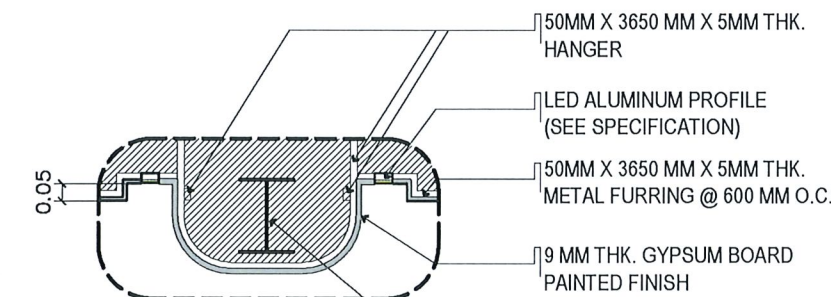


CEILING DETAIL

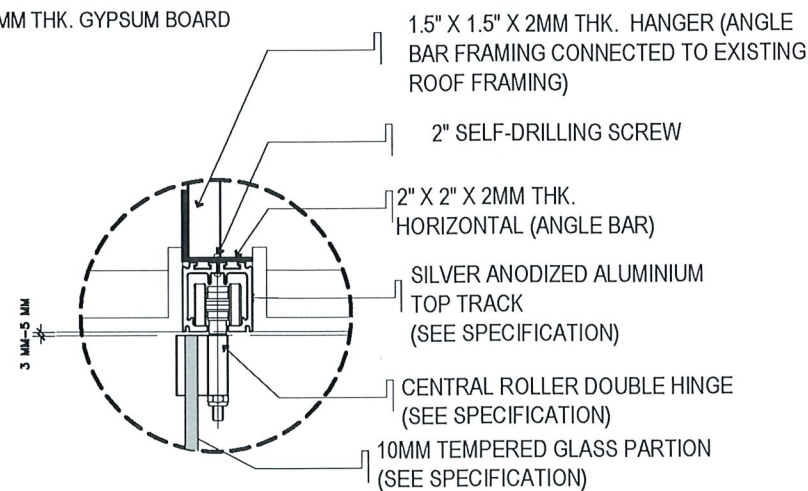


SCALE

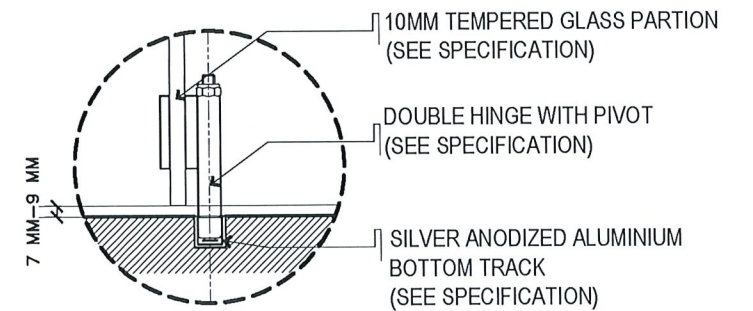
NTS.



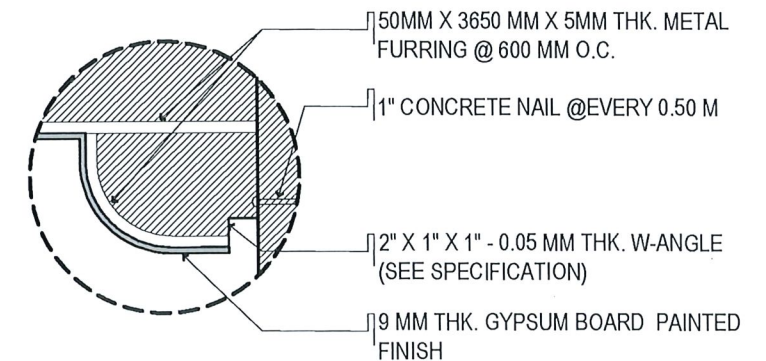
DETAIL A







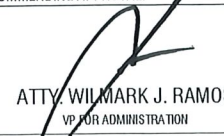
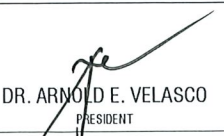
DETAIL B



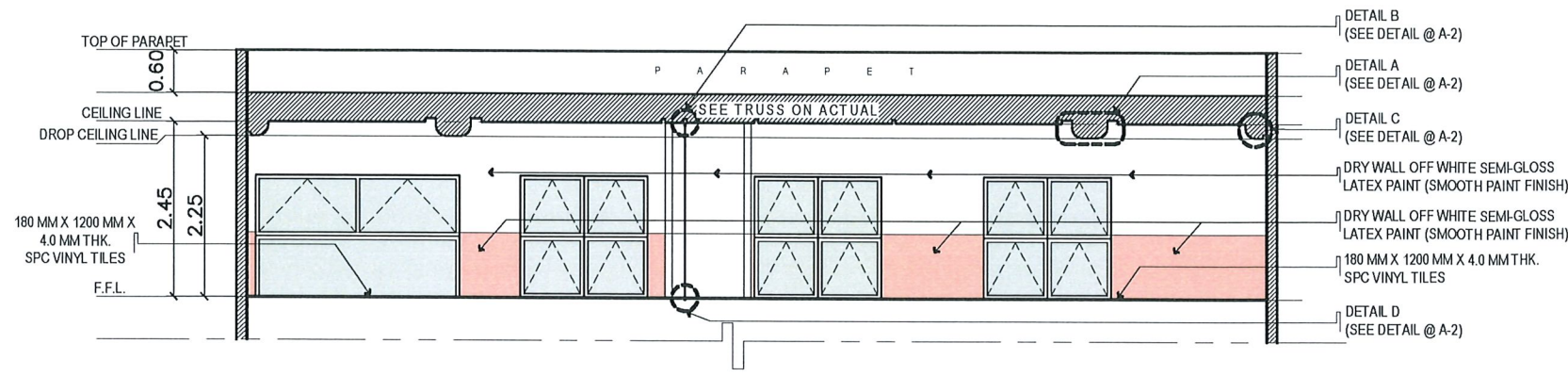
DETAIL D



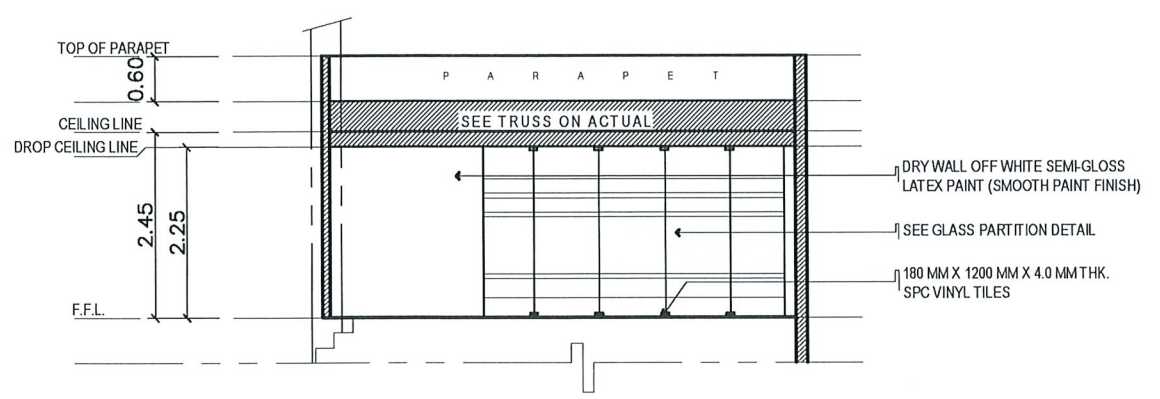
DETAIL C

 TARLAC STATE UNIVERSITY Facilities Development and Management Office Romulo Boulevard, Tarlac City, Philippines 2300	PROJECT TITLE:	PREPARED BY:	CERTIFIED BY:	REQUESTING OFFICE:	RECOMMENDING APPROVAL:	APPROVED:	SHEET CONTENTS:	SHEET NO:
	RENOVATION OF FACULTY LOUNGE AT TSU CANTEEN						AS SHOWN	A - 2
	PROJECT LOCATION:	AR. ALDREN S. ERMITANO DRAFTSMAN I, OFDM	AR. ARLEN M. GUIEB DIRECTOR, OFDM	MR. RYAN G. SIH HEAD, SPMU	ATTY. WILMARK J. RAMOS VP FOR ADMINISTRATION	DR. ARNOLD E. VELASCO PRESIDENT	DATE:	PAGE NO: 2 - 7

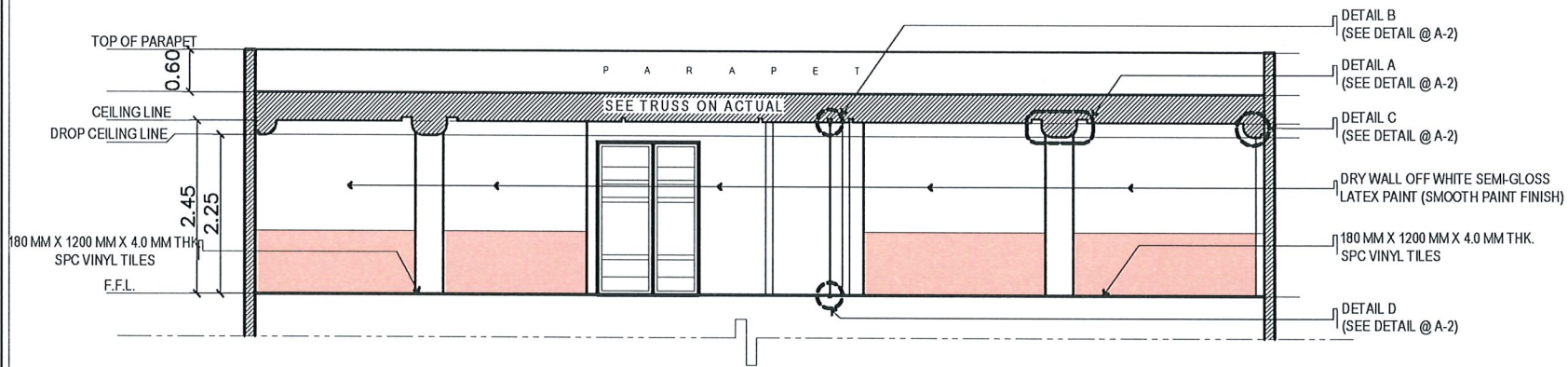
SEP 10 2024



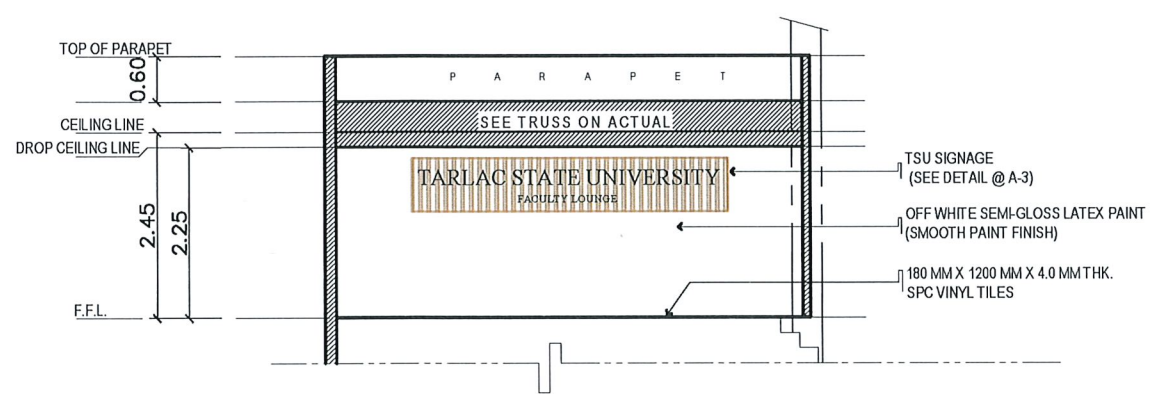
LONGITUDINAL SECTION 1
SCALE 1:100 MTS.



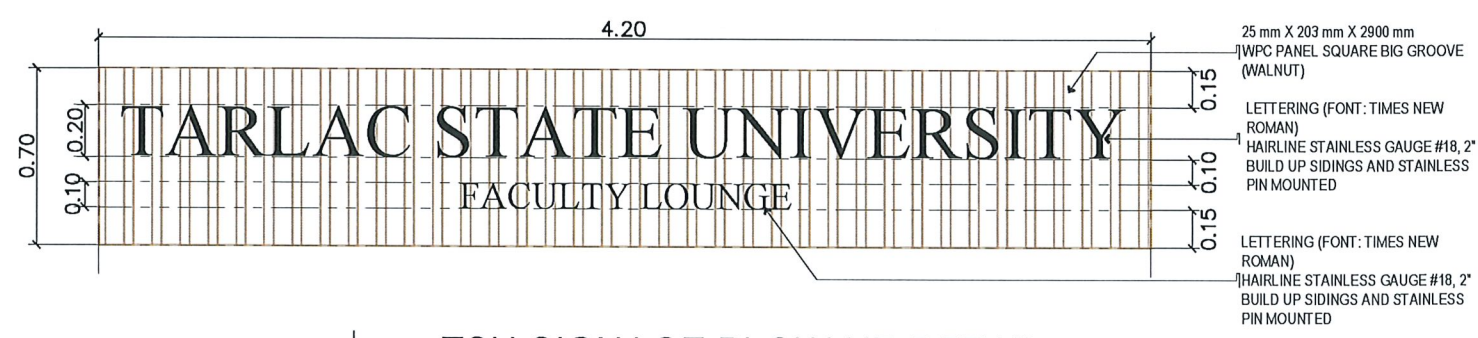
CROSS SECTION 1
SCALE 1:100 MTS.



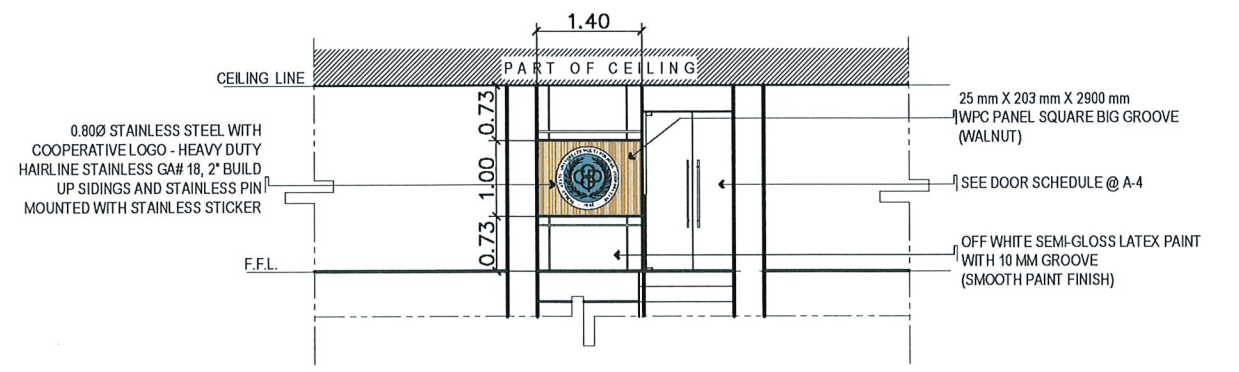
LONGITUDINAL SECTION 2
SCALE 1:100 MTS.



CROSS SECTION 2
SCALE 1:100 MTS.



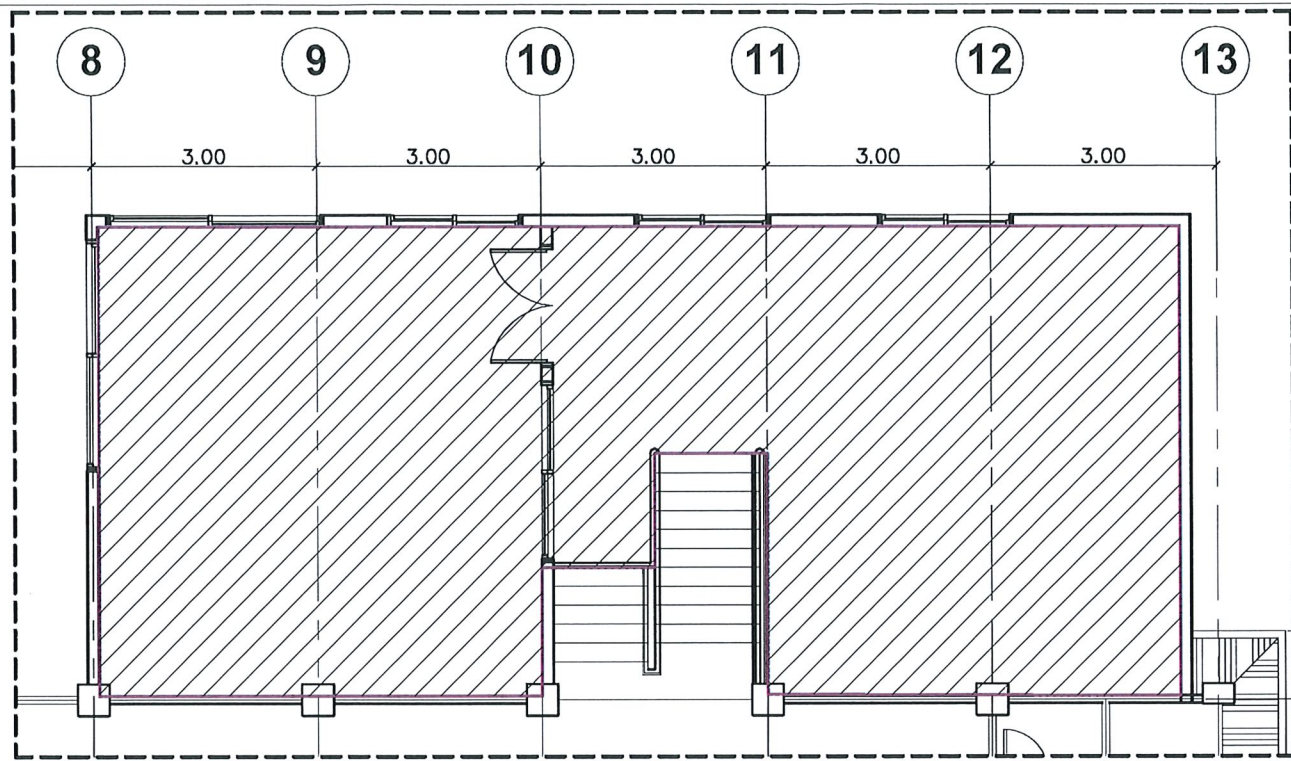
TSU SIGNAGE BLOW-UP DETAIL
SCALE 1:30 MTS.



MEZZANINE ENTRANCE DETAIL
SCALE 1:100 MTS.

<p>TARLAC STATE UNIVERSITY Facilities Development and Management Office Romulo Boulevard, Tarlac City, Philippines 2300</p>	PROJECT TITLE:	PREPARED BY:	CERTIFIED BY:	REQUESTING OFFICE:	RECOMMENDING APPROVAL:	APPROVED:	SHEET CONTENTS:	SHEET NO:
	RENOVATION OF FACULTY LOUNGE AT TSU CANTEEN	 AR. ALDREN S. ERMITANIO DRAFTSMAN I, OFDM	 AR. ARLEN M. GUIEB DIRECTOR, OFDM	 MR. RYAN G. SIH HEAD, SP/BU	 ATTY. WILMARK J. RAMOS VP FOR ADMINISTRATION	 DR. ARNOLD E. VELASCO PRESIDENT	AS SHOWN	A - 3
	PROJECT LOCATION:						DATE:	PAGE NO:
MAIN CAMPUS, TARLAC STATE UNIVERSITY							3 - 7	

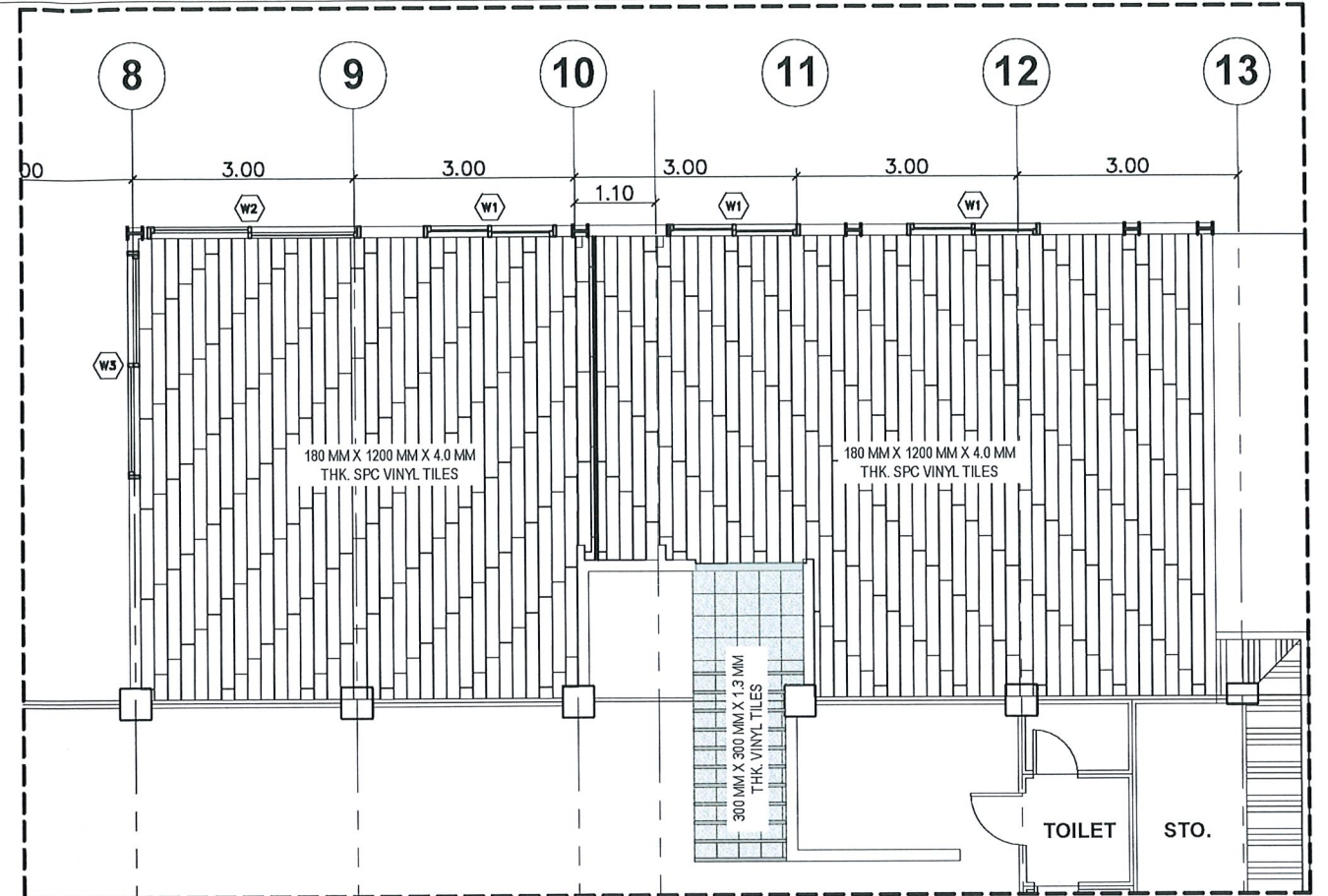
SEP 10 2024



EXISTING MEZZANINE FLOOR PLAN

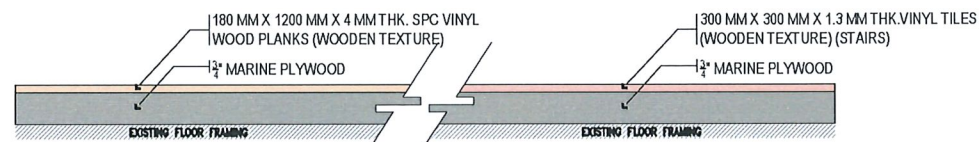
SCALE 1:100 MTS.

FOR RE-TILING
(SEE FLOOR PATTERN LAYOUT)



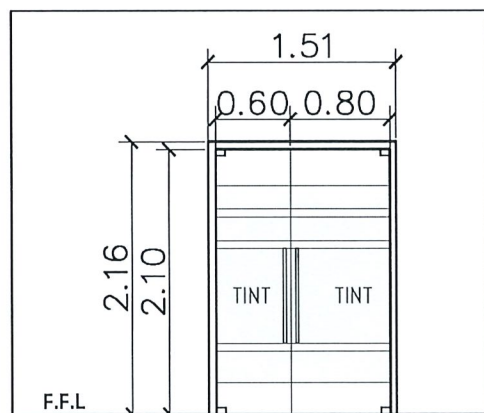
FLOOR PATTERN LAYOUT

SCALE 1:100 MTS.



FLOORING DETAIL

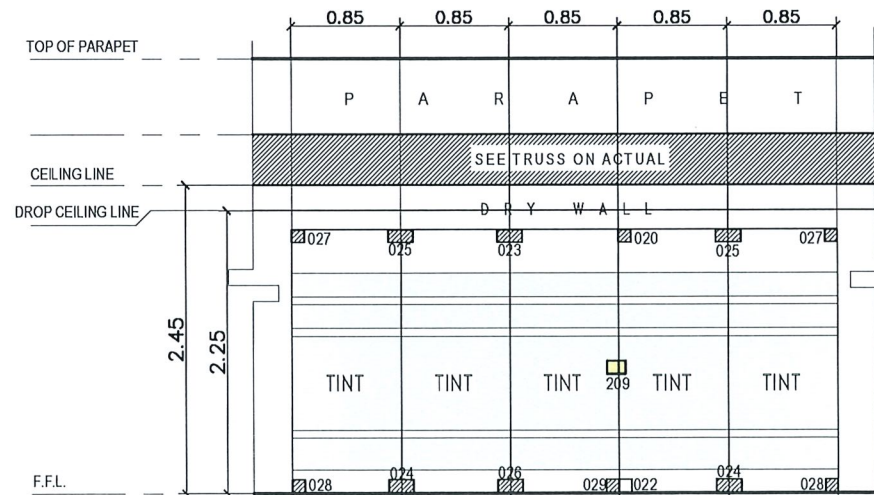
SCALE NTS.



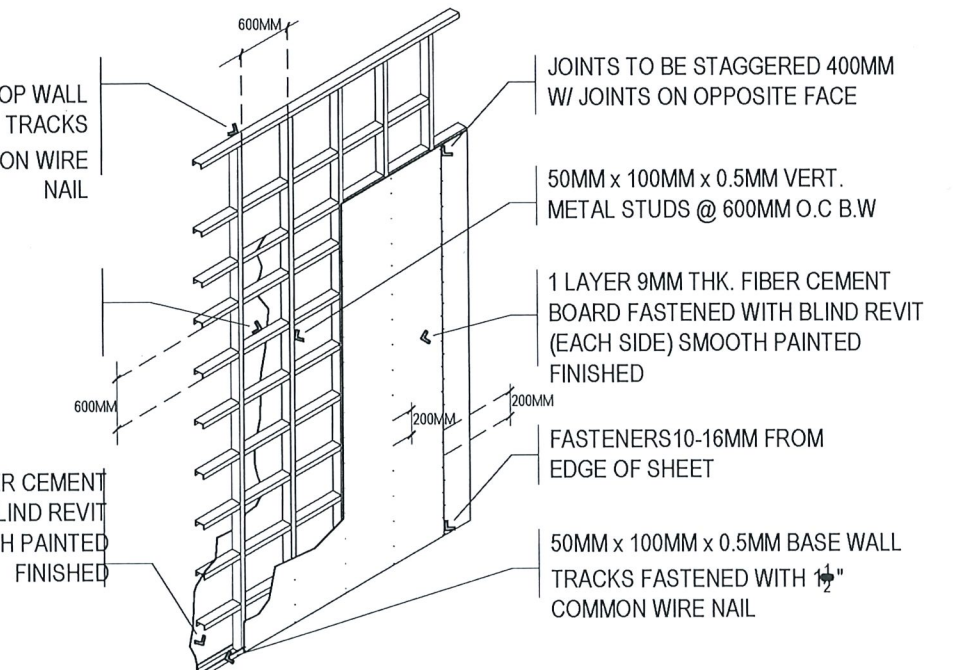
QUANTITY :	1 SET
LOCATION :	MAIN ENTRANCE (MEZZANINE FLOOR)
DESCRIPTION :	10 MM THK. SWING TEMPERED GLASS DOOR WITH FROSTED TINT FRAME : 0.50MM THK WHITE POWDER COATED ALUMINUM

SCHEDULE OF DOOR AND GLASS PARTITION

SCALE 1:60 MTS.



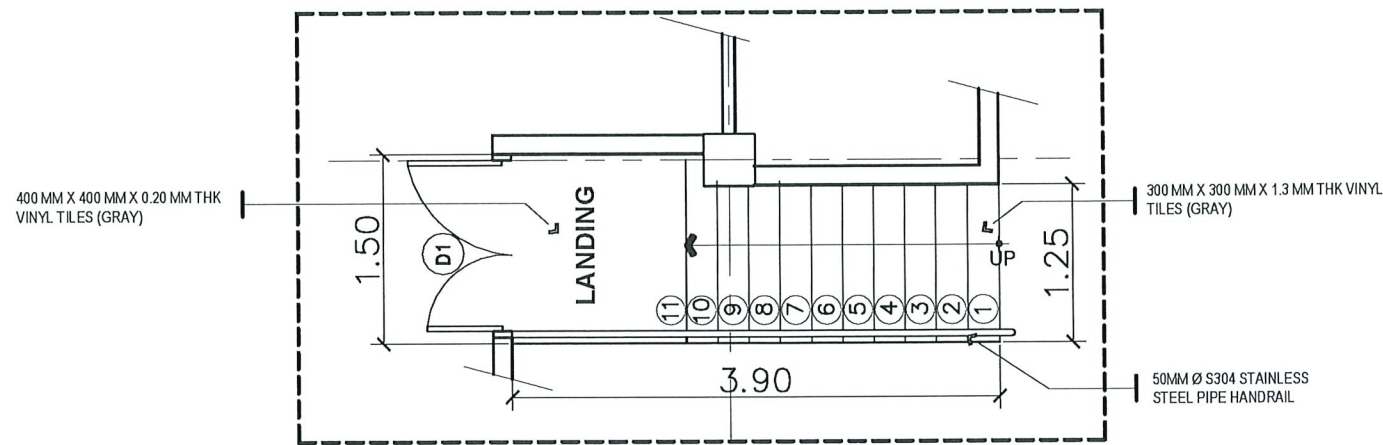
LEGENDS	
020	SINGLE HINGE ROLLER
022	BOTTOM GUIDE WITH SINGLE HINGE
023	CENTRAL ROLLER DOUBLE HINGE
024	DOUBLE HINGE WITH BASE PIN
025	DOUBLE HINGE "A" CENTRAL
026	CENTRAL BOTTOM GUIDE DOUBLE HINGE
027	TOP PIVOT WITH HINGE
028	BOTTOM HINGE WITH PIVOT
029	BOTTOM HINGE WITH BOLT
203	GLASS DOOR LOCK



DRY WALL DETAIL

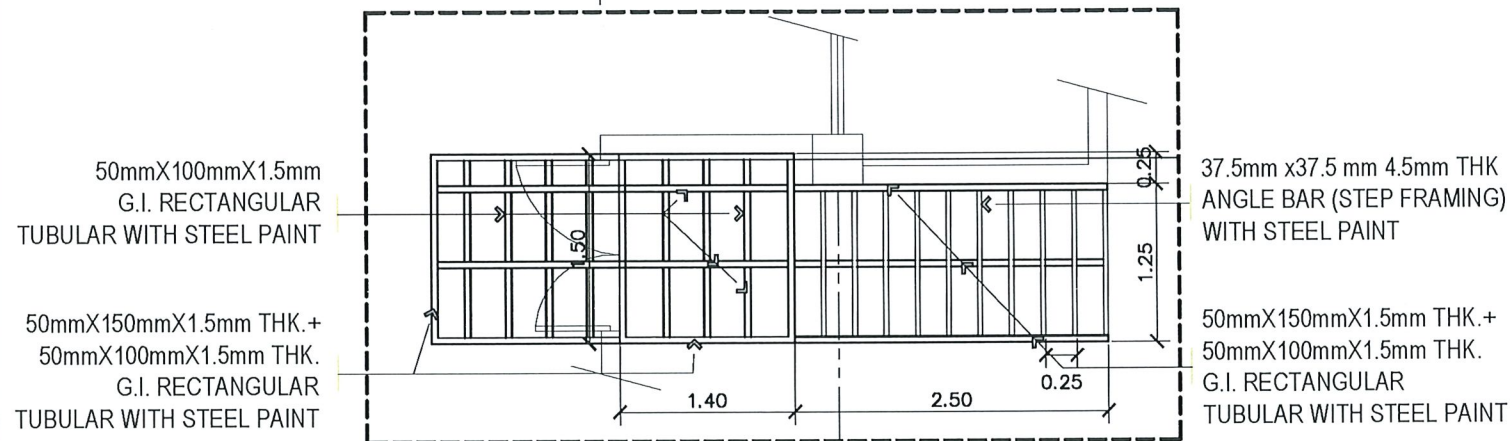
SCALE NTS.

<p>TARLAC STATE UNIVERSITY Facilities Development and Management Office Bonifato Boulevard, Tarlac City, Philippines 2300</p>	PROJECT TITLE:	RENOVATION OF FACULTY LOUNGE AT TSU CANTEEN	PREPARED BY:	AR. ALDEN S. ERMITANIO DRAFTSMAN I, OFDM	CERTIFIED BY:	AR. ARLEN M. GUIEB DIRECTOR, OFDM	REQUESTING OFFICE:	MR. RYAN G. SIH HEAD, SP. I/II	RECOMMENDING APPROVAL:	ATTY. WILMARK J. RAMOS VP FOR ADMINISTRATION	APPROVED:	DR. ARNOLD E. VELASCO PRESIDENT	SHEET CONTENTS:	AS SHOWN	SHEET NO.:	A - 4
	PROJECT LOCATION:	MAIN CAMPUS, TARLAC STATE UNIVERSITY	DATE:	SEP 10 2024	PAGE NO.:	4 - 7										



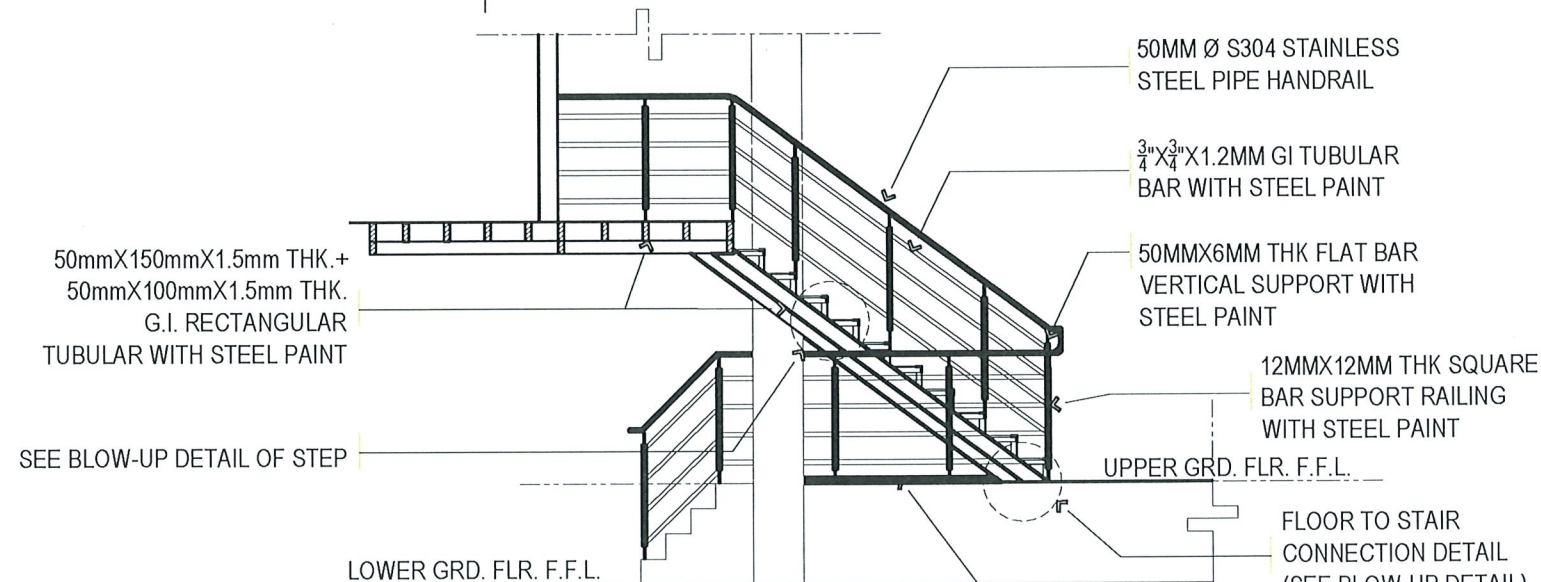
STAIR PLAN

SCALE 1:60 MTS.



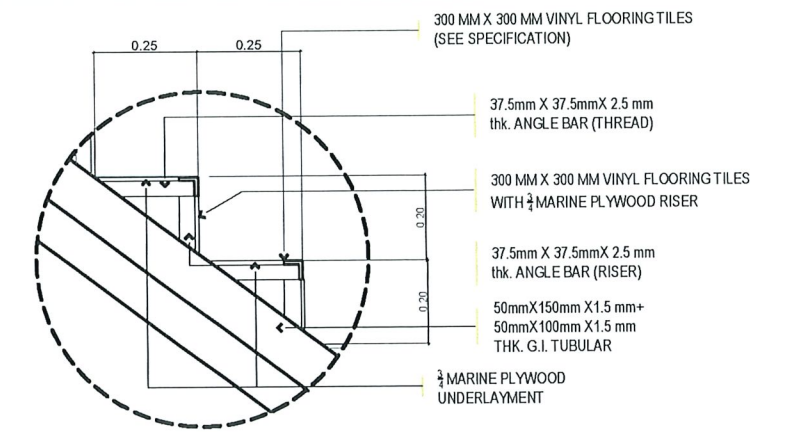
STAIR FRAMING PLAN

SCALE 1:60 MTS.



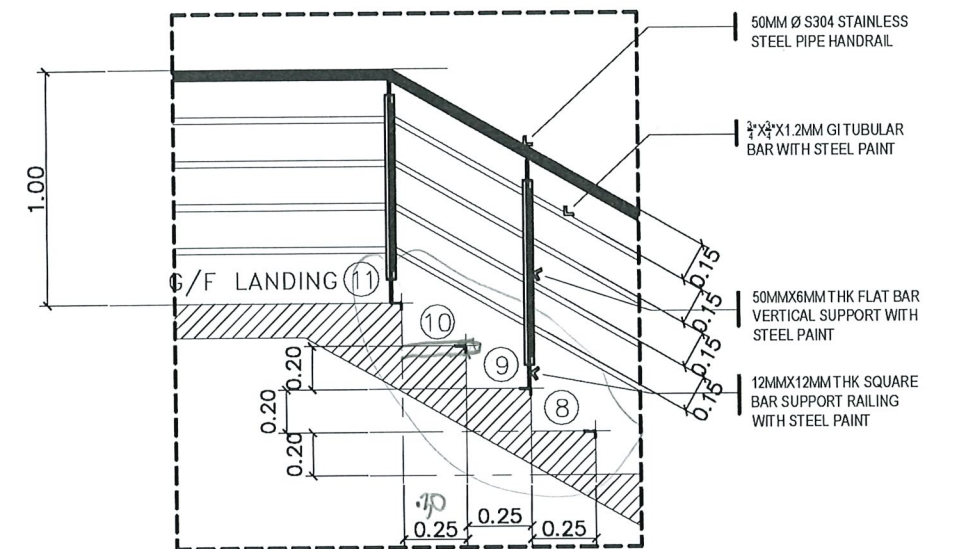
STAIR ELEVATION

SCALE 1:75 MTS.



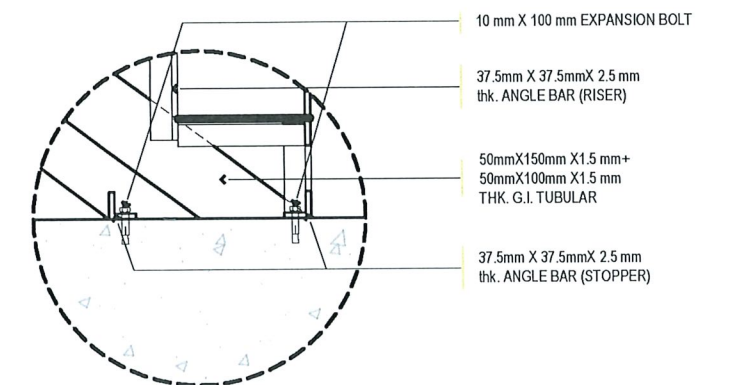
BLOW-UP DETAIL OF STEP

SCALE NTS



STAIR RAILING DETAIL

SCALE NTS



FLOOR TO STAIR CONNECTION DETAIL

SCALE NTS



PROJECT TITLE:	RENOVATION OF FACULTY LOUNGE AT TSU CANTEEN
PROJECT LOCATION:	MAIN CAMPUS, TARLAC STATE UNIVERSITY

PREPARED BY:	AR. ALDREN S. ERMITANIO DRAFTSMAN I, OFDM
--------------	--

CERTIFIED BY:	AR. ARLEN M. GUIEB DIRECTOR, OFDM
---------------	--------------------------------------

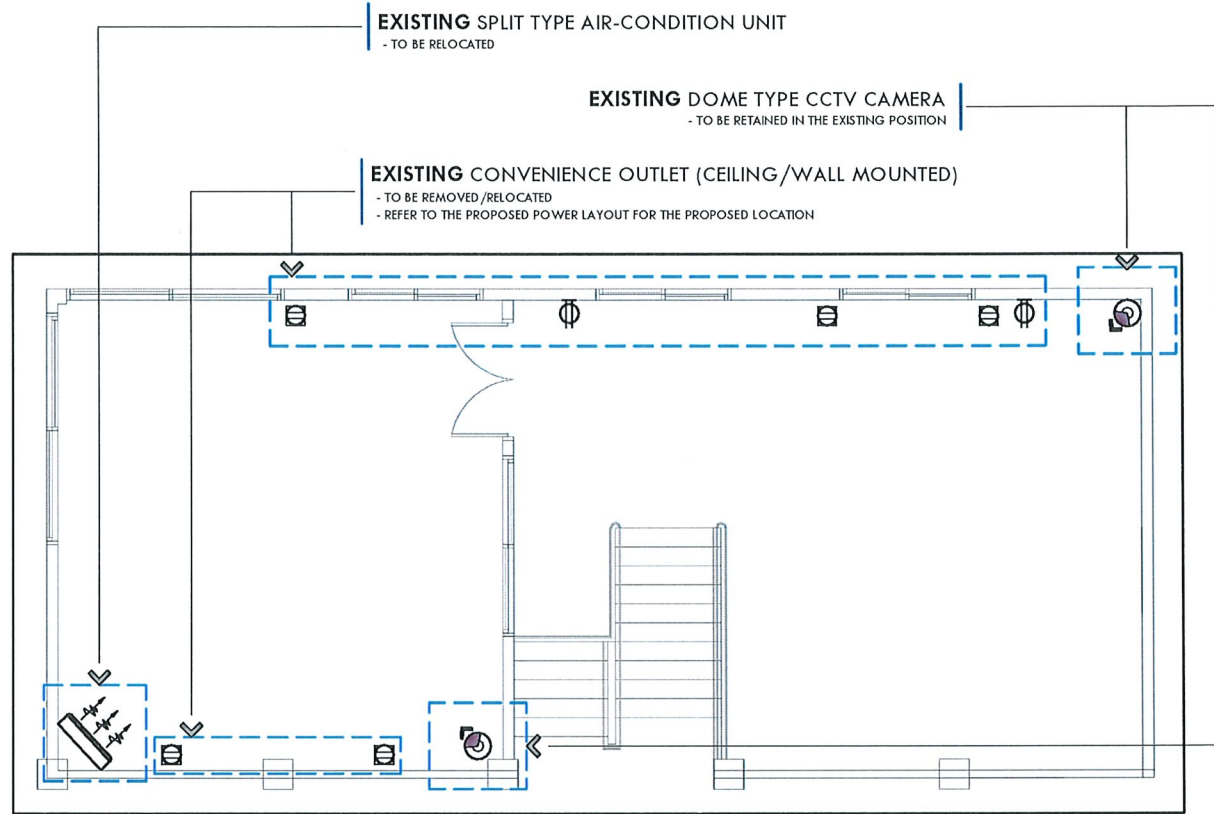
REQUESTING OFFICE:	MR. RYAN G. SIH HEAD, SP/10
--------------------	--------------------------------

RECOMMENDING APPROVAL:	ATTY. WILMARK J. RAMOS VP FOR ADMINISTRATION
------------------------	---

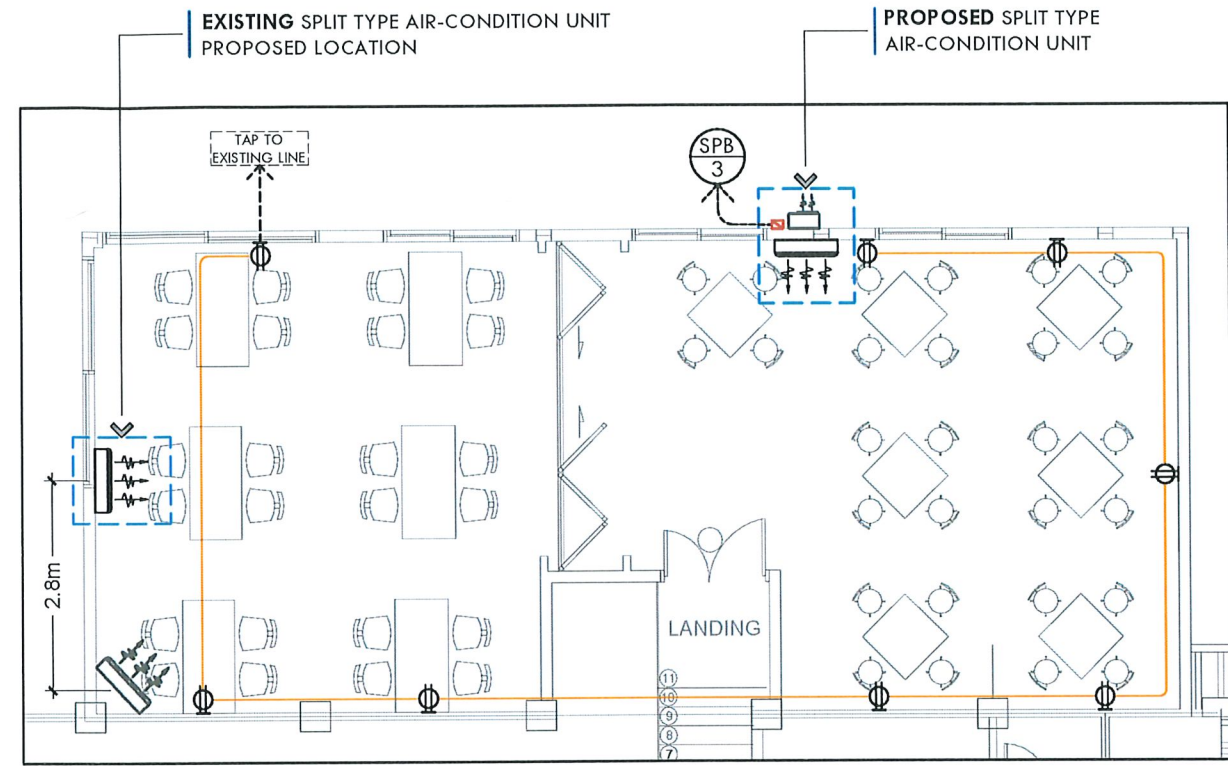
APPROVED:	DR. ARNOLD E. VELASCO PRESIDENT
-----------	------------------------------------

SHEET CONTENTS:	AS SHOWN	SHEET NO:	A-5
		PAGE NO:	5-7
DATE:			

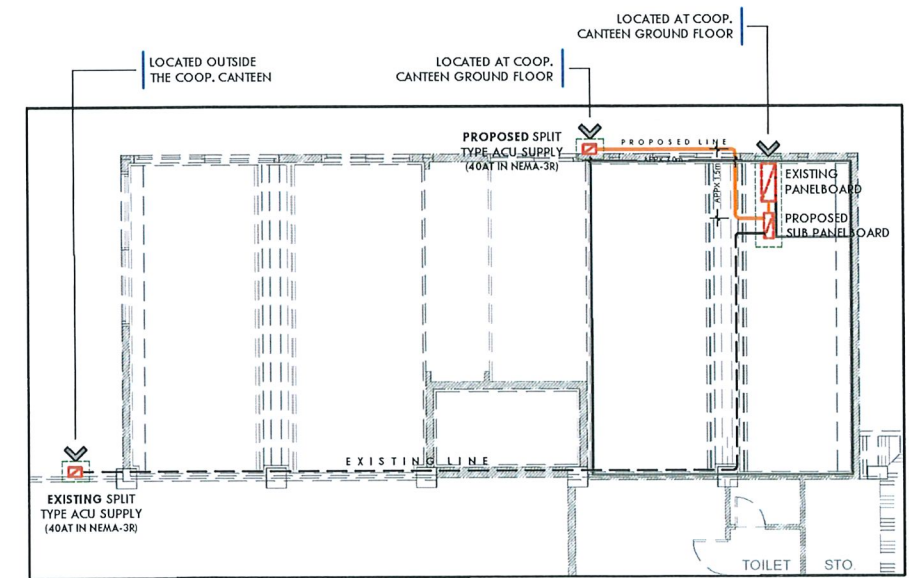
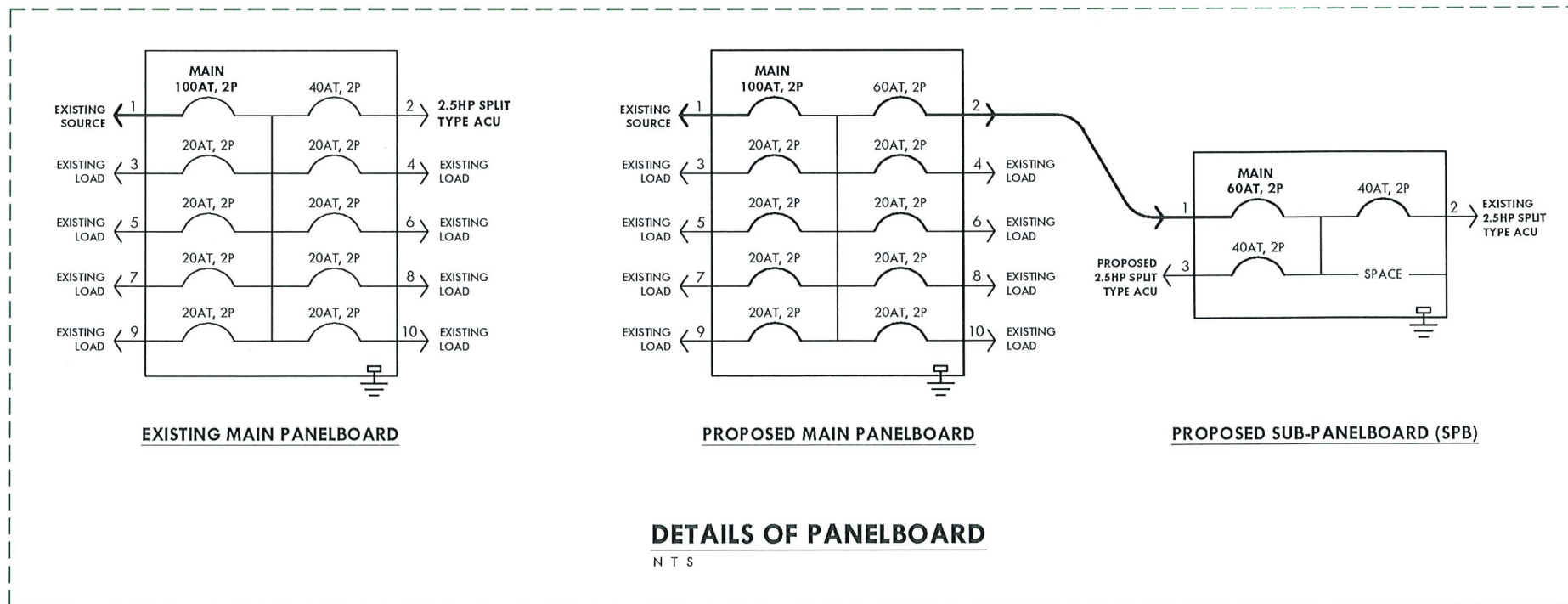
SEP 10 2024









EXISTING POWER AND CCTV LAYOUT
SCALE: 1:100 MTS



PROPOSED POWER LAYOUT
SCALE: 1:100 MTS



PANELBOARDS LOCATION
N T S

 TARLAC STATE UNIVERSITY Facilities Development and Management Office Romulo Boulevard, Tarlac City, Philippines 2300	PROJECT TITLE:	PREPARED BY:	CERTIFIED BY:	REQUESTING OFFICE:	RECOMMENDING APPROVAL:	APPROVED:	SHEET CONTENTS:	SHEET NO.:	
	RENOVATION OF FACULTY LOUNGE AT TSU CANTEEN		 ENGR. MARK JOMELLE O. NATIVIDAD ELECTRICAL ENGINEER, OFDM	 AR. ARLEN M. GUIEB DIRECTOR, OFDM	 MR. RYAN G. SIH HEAD, SP/II	 ATTY. WILMARK J. RAMOS VP FOR ADMINISTRATION SEP 10 2024	 DR. ARNOLD E. VELASCO PRESIDENT	AS SHOWN	E-2
	PROJECT LOCATION:							DATE:	PAGE NO.:
MAIN CAMPUS, TARLAC STATE UNIVERSITY								07/07	